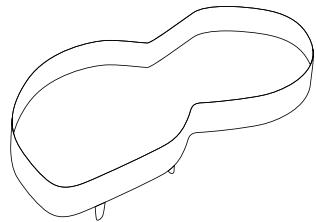
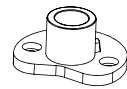


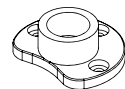
1 COMPONENTS



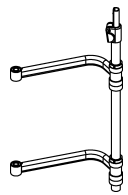
A 2PCS



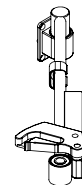
E 1PCS



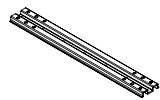
F 1PCS



G 1PCS



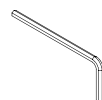
H 2PCS



I 1PCS



J 4PCS



O 1PCS



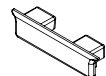
K 8PCS
(M5*10)



L 4PCS
(6*16)



M 15PCS
(ST4*14)

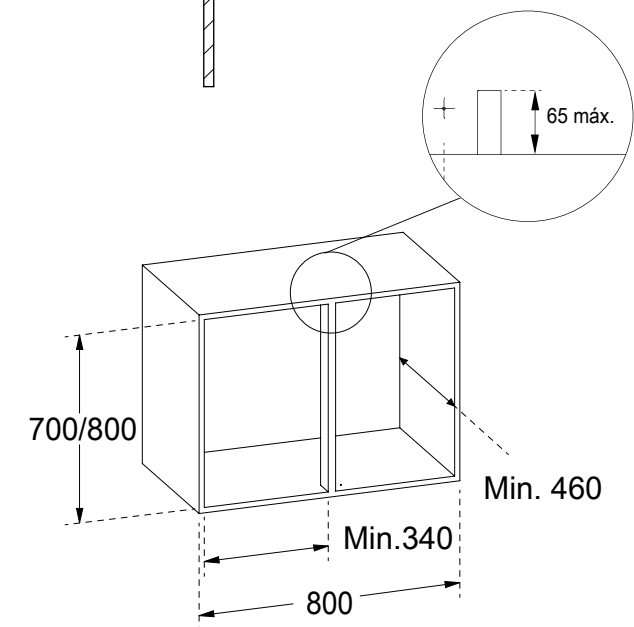
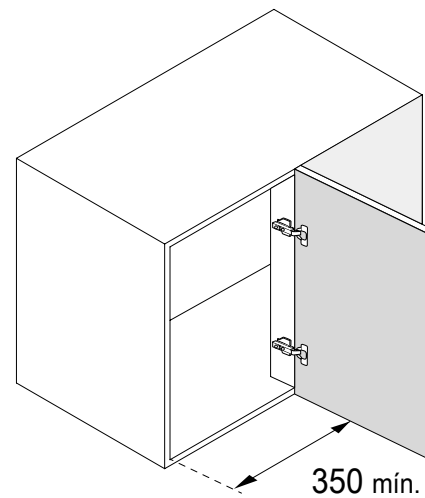
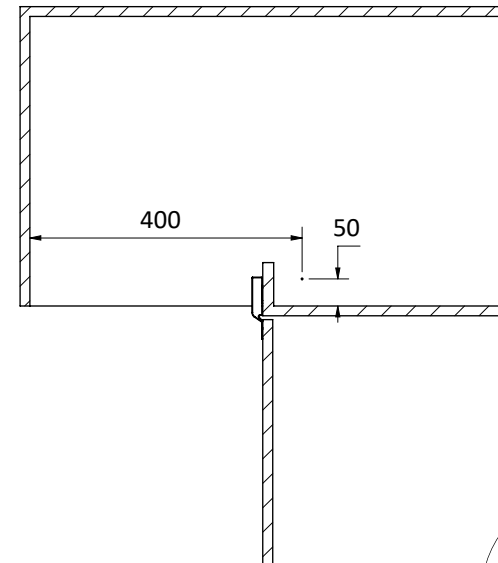


N 1PCS

2 INSTALLATION

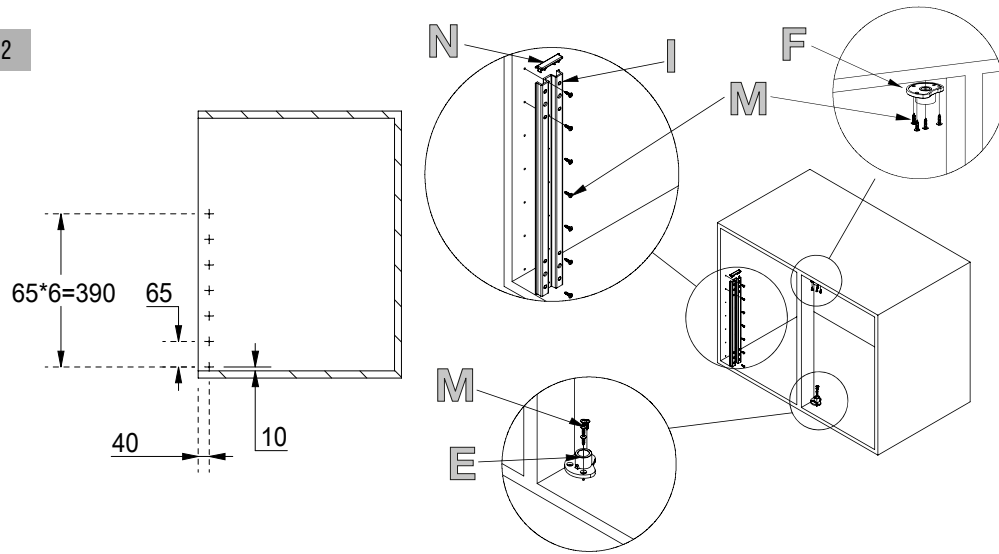
1 PRE DRILLING ON CABINET

HINGE
110°

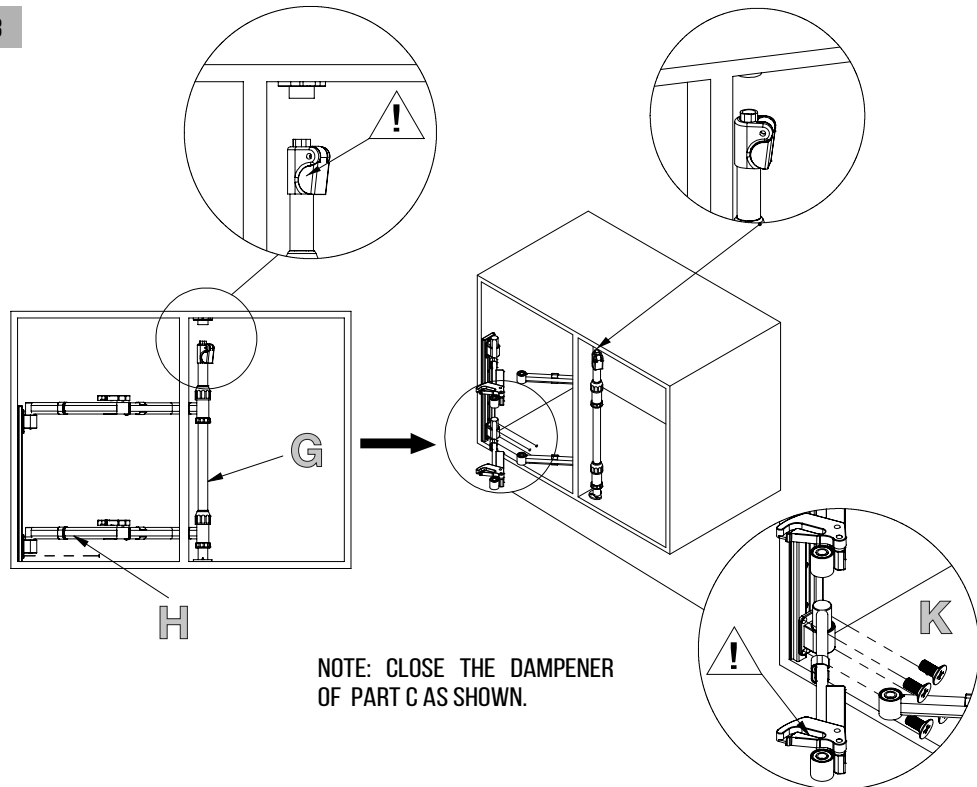


INSTALLATION

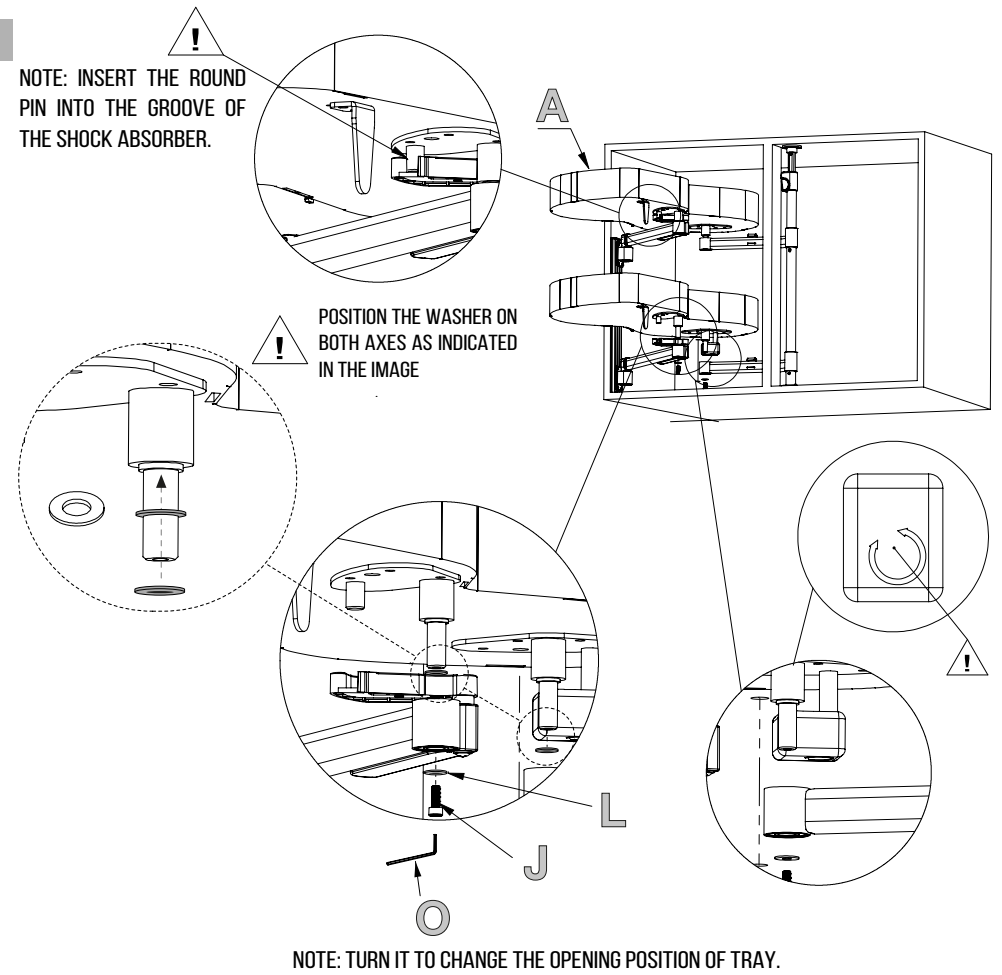
2



3



4



5

